
GSM/GPRS/GPS Vehicle Tracker

TR08 User manual



Read this manual carefully before attempting installation

1. Function Introduction

1.1. This tracker is a new product based on the GSM / GPRS network and GPS satellite positioning system, which set multiple functions of security, positioning, monitoring surveillance, emergency alarms and tracking in its entirety. It can track and monitor remote target by SMS or internet.

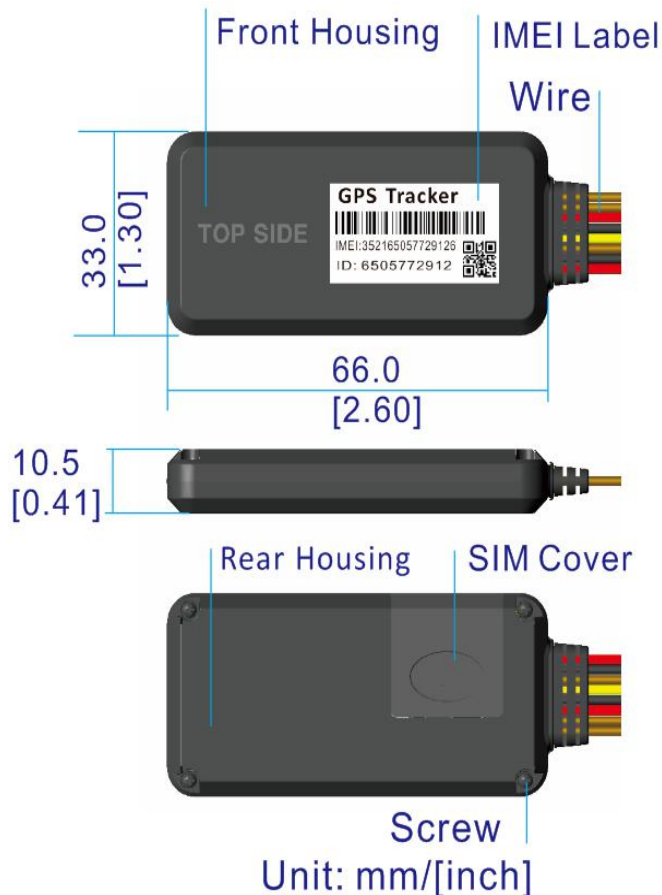
1.2. Features

- 1.2.1 Support both GPS & LBS (Location based service).
- 1.2.2 Support SMS/GPRS/Internet Network data transmission
- 1.2.3 Support GPRS on-line and re-connected automatically if GPRS drops
- 1.2.4 Support SMS / GPRS dual-mode switching
- 1.2.5 Support configuration by remote terminal.
- 1.2.6 Support for point-to-point, point to group, group-to-group monitoring.
- 1.2.7 Set multiple functions of security, positioning, monitoring surveillance, emergency alarms and tracking in its entirety.

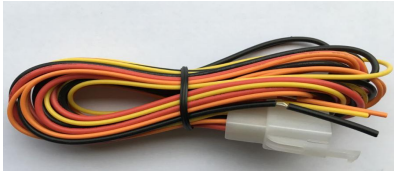

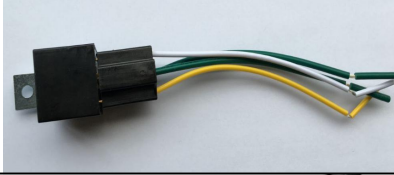

2. Applications

Used widely for vehicle and other moving objects tracking.

3. Hardware Description



4. Accessories

No.	Photoes	NAME	Note
1		Harness (Default)	4 PIN
2		Microphone	1.5 meters
3		Relay	12VDC/40A 24VDC/40A according to vehicles
4		SOS Key	SOS Key Cable for Help Call

5. Specifications

Content	Specifications
DIM	68.0X33.0X10.5mm
Weight	35g
Network	GSM/GPRS
Band	850/900/1800/1900Mhz
GPS Sensitivity	-159dBm
GPS Accuracy	5m
GPS Start time	Cold status 45s Warm status 35s Hot status 1s
Voltage	9 V~40V
Backup battery	Chargeable 3.7V 70mAh Polymer Li-Battery
Storage Temp.	-40°C to +85°C
Operation Temp.	-20°C to +65°C
Humidity	5%--95% non-condensing

Quick Use Instruction

- 1 Insert SIM card; (check 6.2)
- 2 Install device to vehicle, turn on device; (check 6.1)
- 3 Set center number (check 6.5)
- 4 Check if device online or not(if not, if not, please send command to check parameter and set APN and PI, check 6.5)

6. Operating Instructions

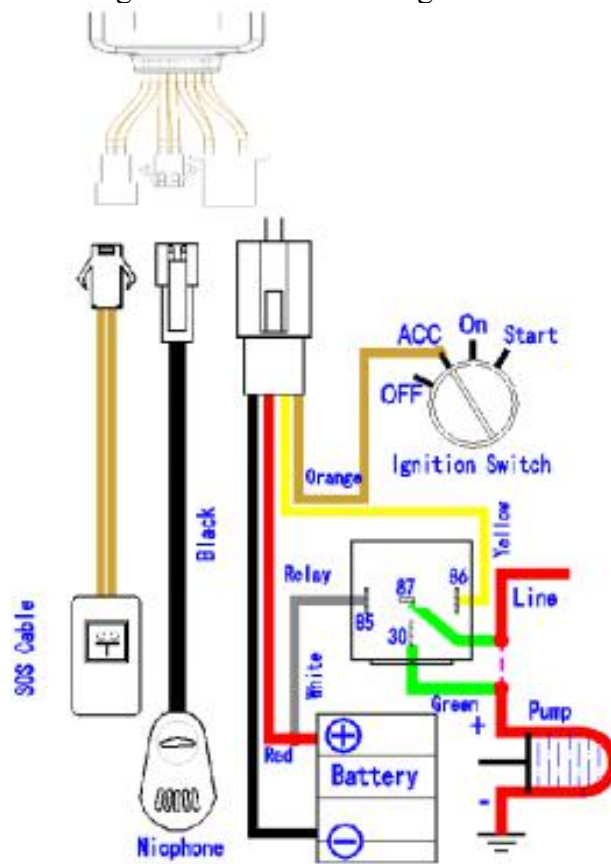
6.1 Terminal Installation

6.1.1 Please ask the qualified engineers to install it.

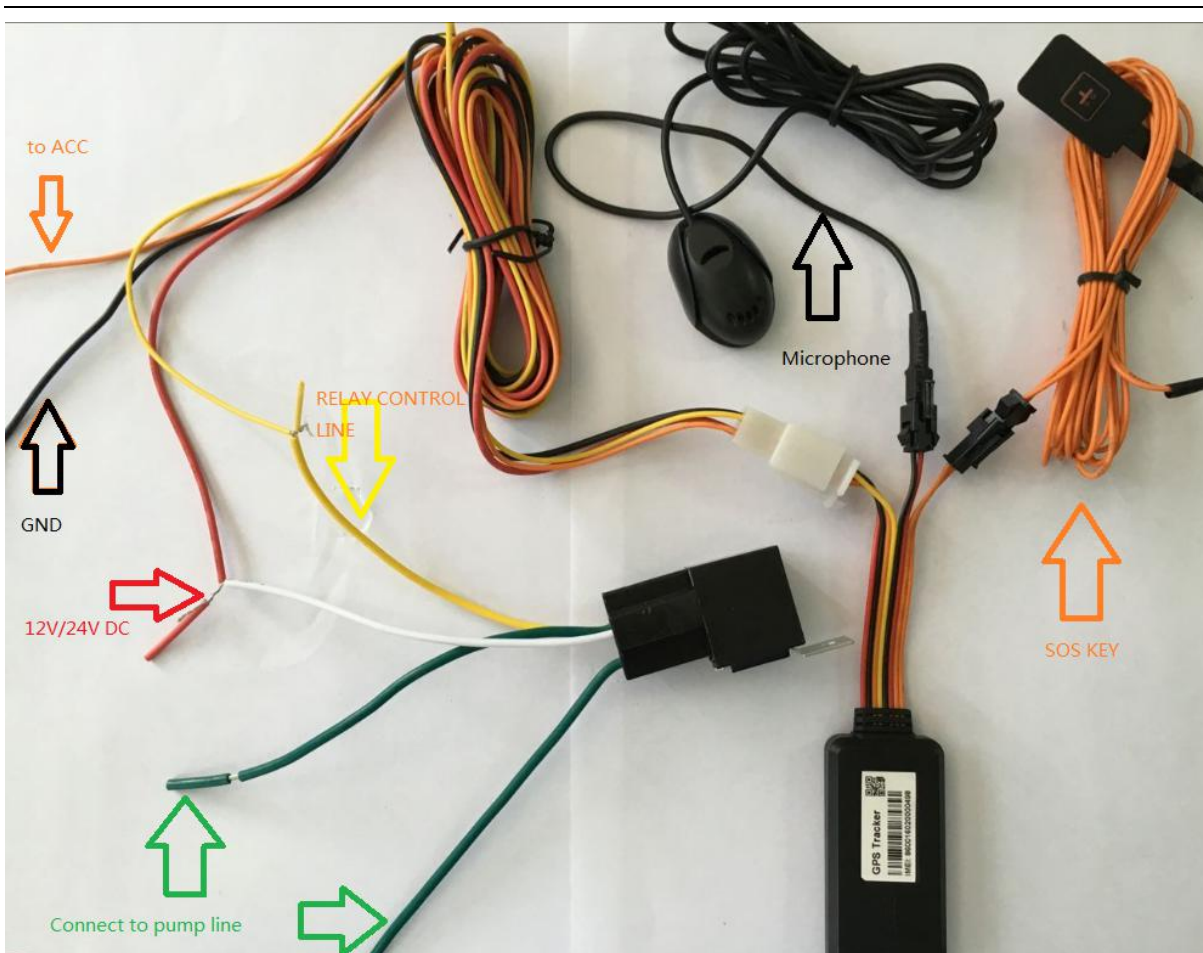
6.1.2 Do not install it in an environment which is over GSM performance index, and please pay attention to fix the antennas in an appropriate position with good signals.

6.1.3 Pay attention to make installation location preventing water and dust.

6.1.4 Find the 4 PIN harness and insert it into the corresponding holes of the products, and connect the wires with the original car circuit showing below:



Wiring diagram



Note: The orange wire can be connected to the original car horn

- 6.1.5 Please put SOS button at the place driver can touch.
- 6.1.6 Insert the external monitor Microphone into the monitor jack.
- 6.1.7 Please let the TOP SIDE of Tracker upwards the sky,make sure it receives GPS signals well.

6.2 Micro SIM CARD Installations

- 6.2.1 Take out the SIM card Slot and put Micro SIM card in it. And then put the SIM card slot back to its original position after confirm the Micro SIM card in the right place.
- 6.2.2 Please make sure the Micro SIM card is for GSM network and able to execute the function of incoming calls display, no calls can be diverted and the PIN code is locked. The SMS format must be TXT format, and can't recognize the PDU format.

6.3 Turn on the Tracker Device

Connect the positive and negative wire, red and black ones, with 12V or 24V car power system, It will be powered on after 20 seconds.

6.4 GSM/GPS LED Indicator

LED Indicator Type	Behavior	Meaning
Red LED	On(Not Flash)	SIM not Ready
	Flash quickly	GSM search Network(1 time per second) GPRS uploading data(3 time per second)
	Flash slowly	GPRS Normal or in Sleep mode (1 time per 5 seconds)
	Off(Optional)	After bootup 5 minutes
Blue LED	Flash Slowly	Fix to satellites (1 time per 5 seconds)
	Flash quickly	Lost fix to satellites (1 time per second)
	Off(Optional)	After bootup 5 minutes



6.5 Command List

User can set different kinds of function commands via sending message, including position check, engine cut, etc., Below commands and punctuation marks must be putted under English status. All commands will get auto replies according to the message sent.

Note: device with initial password **123456**

	Features		SMS Command		Example
			<i>sms</i>	<i>replies</i>	
1	Mode	set working mode	mode,password,n	Work mode setting ok!	for example: mode,123456,0 (0--power saving mode 1--standard mode,2--tracking mode,3--lbs mode)
3	Admin	set center number	Admin,password,n	Admin phone number setting ok!	for example:Admin,123456,1,13421342519 (n=1~3 Admin,123456,1,d ---delete first admin number)
4	Timezone	set timezone	TimeZone,password,your timezone	Timezone setting ok!	Timezone,123456,8.0 (After sms setting, please set time zone on platform(check 6.5.1)
5	Interval	set updating time interval	Interval,password,m,n	Upload interval setting ok!	interval,123456,30,30 (m,n:0~4294967295 unit: s)
6	Monitor	set monitor number	Monitor,password,phone number	Monitor phone number setting ok!	Monitor,123456,13421342519 Monitor,123456,d delete monitoring number
7	Speed	set over speed alarm	Speed,password,n	Overspeed alarm setting ok!	Speed,123456,90 (n:0~200 Km/h)
8	GEO	set geo fence	GEO,password,radius	Out geofence alarm setting ok!	GEO,123456,5000 GEO,123456,0 delete geo fence
9	Password	change password	Password,old password,new password	Password setting ok!	Password,123456,888888
10	APN	set apn	APN,password,apn name,user name,password	APN setting ok!	APN,123456,cmnet
11	IP	set server ip	IP,password,IP address/domain,port	IP and port setting ok!	IP,123456, 114.119.8.200,88 or IP,123456,www.gpsgreat.com,88

13	Param	check parameter of device	Param,password	SN/IP/APN/SOS Number/Time zone ID:860016020051152 IMEI:860016020051152 APN:null IP:114.119.8.200:88 Interval:30(AccOn),300(AccOff) MODE:1 GPRS ENABLE:1 Time zone:8.0 Admin[1]:18688317590Admin[2]: Admin[3]:	Param,123456
14	Status	check statue of device	Status,password	Ver/Vbat/GSM Signal/GPRS link/GPS signal ID:860016020051152 ACC:0 Mileage:308 V- bat:4.17V GSM:100 GPS Sat:13	Status,123456
15	Restore	factory restore	Restore,password	英文: Reset factory ok!	Restore,123456
16	Reset	reset setting	Reset,password	Reset ok!	Reset,123456 。
17	Loc	check location	Loc,password	replies with address details	Loc,123456
18	URL	check google map link	Url,password	link ofgoogle map URL,Get Location OK,4.18V,2017-01-16 11:03:44 http://maps.google.com/?q=loc:+23.092316,+114.429396	Url,123456
20	VER	check version	ver,password	ID:860016020202060 IMEI:860016020202060 Ver:V5.2.0 Build:2017/01/13 16:36 Modal:EASYROAD61D_11C_ HW	ver,123456
21	dyd	cut off oil	dyd,password#	DYD=Success!	dyd,123456#
22	hfyd	restore oil	hfyd,password#	HFYD=Success!	hfyd,123456#

Method 1, PC-WEB service platform

Platform Web domain: www.gpsgreat.com

If you are registered user already, you can logging in platform directly, or please contact with your distributor to open an account for you.

Please enter your user name and password to logging in.

Method 2, APK software web

Download from the web: www.gpsgreat.com or scan it from QR Code:

Download Android version, please scan below QR.



Android version

Download IOS version, please scan below QR.



IOS version

7 Cautions

Please comply with the instructions to extend the unit life:

- 7.1. Keep the unit dry. Any liquid, i.e. rain, moisture, may destroy or damage the inside circuitry.
- 7.2. Don't use & store the unit in dusty places.
- 7.3. Don't put the unit in overheated or overcooled places.
- 7.4. Handle carefully. Don't vibrate or shake it violently.
- 7.5. Clear the unit with a piece of dry cloth. Don't clean in chemicals, detergent.
- 7.6. Don't paint the unit, this may cause some foreign materials left in between the parts.
- 7.7. Don't disassemble or refit the unit.
- 7.8. Please read the user manual carefully before installation and operation, learn something more about the voltage range. Otherwise, it won't work properly or destroy the product.

8 Faults & the Solutions List

Faults	Solution
Fail to turn it on	Please check if built-in battery is charged, and power wires connected well.
No GSM signal	<ul style="list-style-type: none">● Please check if SIM card installed correctly.● Please check if SIM card is GSM network.● Don't turn on the PIN code● no calls can be diverted● Please check if voltage of the power is normal
No GPS	Please check if GPS antenna connected well, and recommend GPS antenna be installed near the window glass, no metal parts can cover it to make sure better GPS signal reception.
No reply to SMS command	Password wrong or the format is wrong.
No reply to calling	Authorized / admin phone number is incorrect
No alarm message	Authorized / admin phone number has not setup